



*Shown in fixed height.  
Brushed Silver top, Granite frame, Granite book box frame*

## SPECIFICATIONS

Columbia's Study Top Desk has a see through basket with ample storage space for books, notebooks and other belongings.

### Frame

- 1" diameter steel tubing
- Parallel MIG and SMAW welded in non-visible location
- 1" diameter steel tubing under top for support
- Stretcher Tube - 3/4" diameter

### Top

- 5/8" hard melamine resin
- Molded in pencil groove
- Flat top
- 24" x 18"
- Solid plastic - ground hardwood flour, color pigment and melamine plastic resins, blended and compressed under heat and pressure (1900 psi)

### Basket

- 1/4" round steel rods
- Front opening 4 1/2"

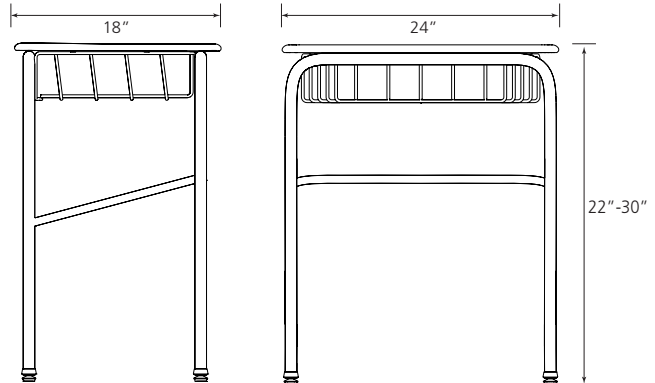
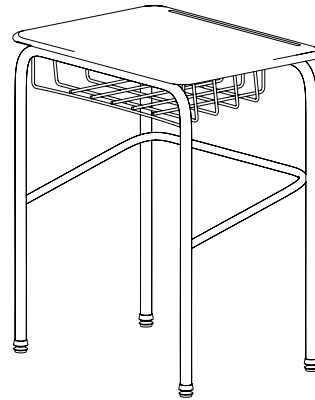
### Tubing

- 1008 -1010 steel
- Tubing - 14-18 gauge

### Height

- 23 1/2", 26 1/2", 29 1/2", and 22"-29" adjustable

Model	D	W	H
DK-BSK-RECT-1824-AL	18"	24"	22-30"
DK-BSK-RECT-1824-29	18"	24"	29.5"



Carpet, steel or felt glides

### Glides

Columbia glide options - Armored Glide, steel, felt base. Q Ball glides available upon request.

- 1/2" high shoulder glide firmly attaches to tubing
- Maximum 40° swivel range
- Armor Tip lubricant repels wax, detergents, and water

## Study Top Desk with Book Basket

### Hard Plastic Top Options



All non-standard colors subject to minimum quantities and upcharges.

### Frame Finish Options



\*Spec Flek subject to upcharges.

All non-standard colors subject to minimum quantities and upcharges.