

Model	D	W	H
DK-LFT-CCX-2631-AU	26"	31"	28"-43"



SPECIFICATIONS

Columbia's pneumatic lift sit/stand study top desk features a flat top design that is ideal for use when the "old standard" is no longer desired. A sturdy frame is made with concealed pneumatic lift cylinders and structurally prepared to make this unit extra durable to withstand student punishment. Computer assisted design provides optimum style, strength, and dependability.

Legs

- Frame is made from 1 1/2" x 18 gauge square tube, 1 3/8" diameter 16 gauge, 1" diameter 18 gauge, and 7/8" diameter 16 gauge tubing

Top

- 3/4" thick 26" x 31" MDF top
- 5/8" thick 24" x 30" Hard plastic top available

Height

- Adjustable from 26" to 43"

Glides

- Columbia's adjustable Armor Glides

Lift

- Equipped with two concealed pneumatic lift cylinders, operated with a single adjustment lever

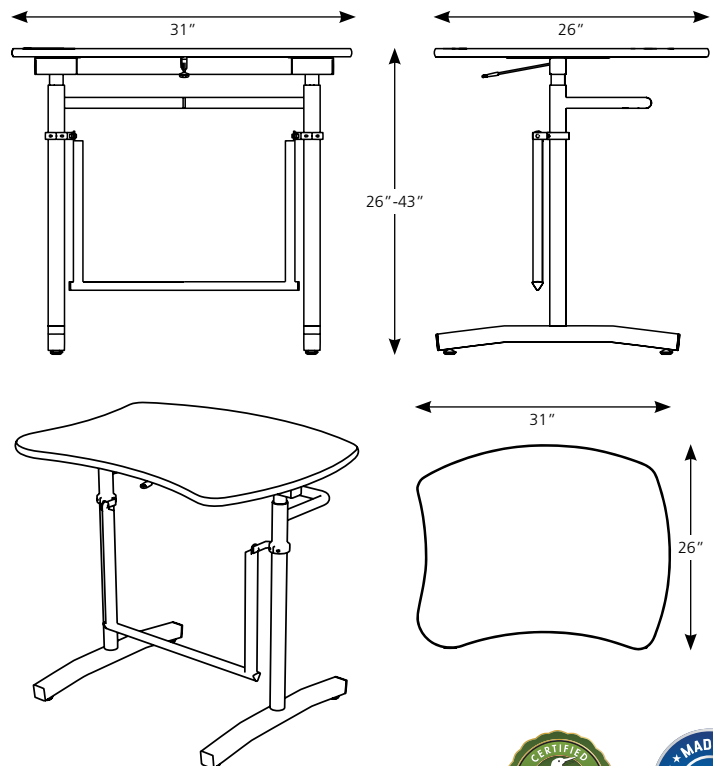


*Shown with optional casters.
Top: MDF Maple with Duro Edge, Frame: Titanium*

OPTIONS:

Wiggle Bar

- Optional ergonomic wiggle bar that can be stowed when in sitting position



Pneumatic Lift Desk

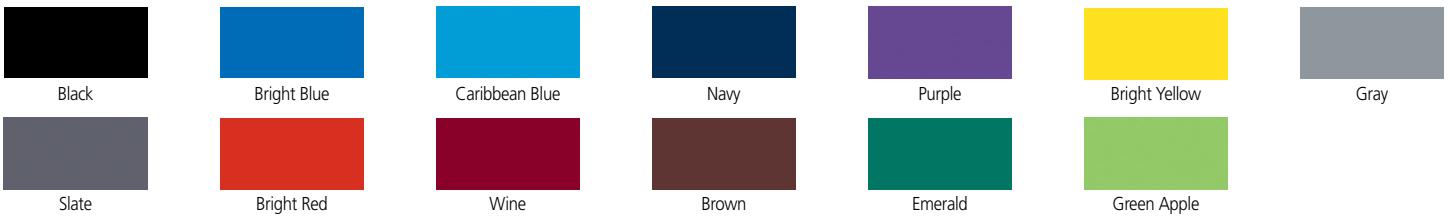
Hard Plastic Top Options



Laminate Top Options



Edging Color Options



Duro Edge Options



Frame Finish Options

