

Model	D	W	H	WT
TB-ACS-KDNY-3672-AJ Adjustable	36"	72"	21"-30"	115
TB-ACG-KDNY-3672-AO	36"	72"	21"-34"	115
TB-ACS-KDNY-4872-AJ Adjustable	48"	72"	21"-30"	120
TB-ACG-KDNY-4872-AO	48"	72"	21"-34"	120

## SPECIFICATIONS

All Columbia activity tables adapt to many different functions or activities. Ideal for classrooms, training rooms, workrooms and any collaborative learning environment.

### Legs

- 1 3/8" diameter, 18 gauge CRS steel tubing
- Mounted into 10 gauge mounting bracket and fully welded with 5/16" stabilizing rods

### Leg Insert

- 1 1/4" diameter, 16 gauge steel tubing swaged to 1" for strength
- Inserts mount into table leg using a t nut adjustment system
- Tables over 60" have a heavy-duty 1" diameter, 16 gauge steel stretcher tube for top

### Top

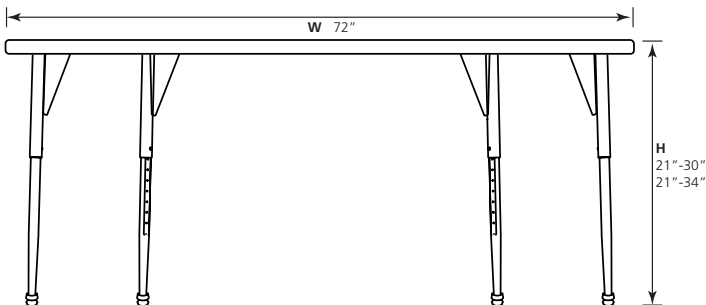
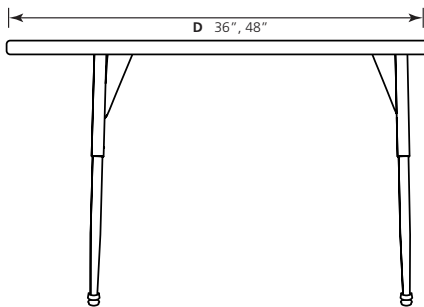
- 1 1/4" HPL, 1" MDF
- 2" radius corners
- Flat top mechanically secured to the frame in 32 places
- 48" x 72"
- Northern Canadian high density wood

### Tubing

- 1008 -1010 steel
- Tubing - between 14 and 18 gauge

### Height

- Standard Leg - 21"-30" adjustable
- Galaxy Leg - 21"-34" adjustable



Shown in standard leg, adjustable height.  
Top Gray Stone, Edging Bright Blue, Bright Blue/Chrome frame

## OPTIONS:



### Legs

- Standard or Galaxy

### Galaxy Legs

- Galaxy Legs are constructed with 2.2" round CRS carbon steel tubing fully welded to 10 gauge 4x5 plate and connected to the top in 40 locations.
- Galaxy Leg inserts are made of 2" round CRS carbon steel tubing chrome plated, permitting 1" height adjustment.



### Glides

Columbia glide options - Armored Glide, steel, felt base. Q Ball glides available upon request.

- 1/2" high shoulder glide firmly attaches to tubing
- Maximum 40°- swivel range
- Armor Tip lubricant repels wax, detergents, and water



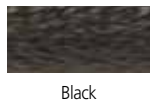
INDOOR-ADVANTAGE GOLD FURNITURE

# Kidney Activity Table

## Laminate Top Options



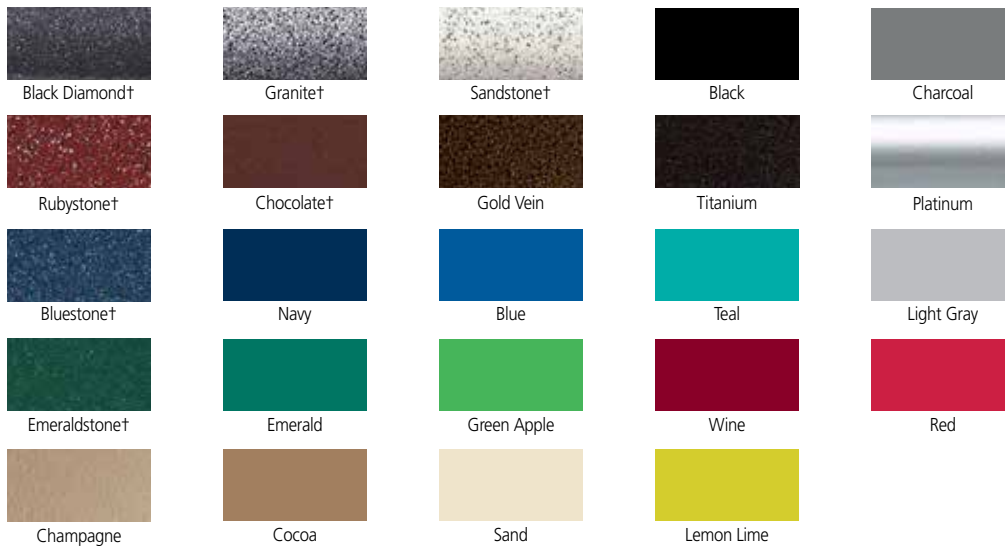
## Duro Edge Options



## Edging Color Options



## Frame Finish Options



†Spec Flek

All non-standard colors subject to minimum quantities and upcharges.