

Model	D	W	H	WT
CD-HPC-DE-N-17	25"	37"	30"	44
CD-HPC-DE-W-17	25"	37"	30"	47

SPECIFICATIONS

Columbia's most durable chair/desk combination offers a Flat top design for easy ganging and engineered with full seat support and our unique "K" brace for optimum strength.

Frame

- 1 1/4" diameter, 16 gauge steel tubing
- 1" diameter steel brace joins right front leg and lower part of desk frame and is attached to seat back frame
- 1" seat back tube parallel welded to the rear leg tube for added strength

Seat and Back

- 5/8" hard melamine resin attached directly to frame
- Solid plastic - ground hardwood flour, color pigment and melamine plastic resins, blended and compressed under heat and pressure (1900 psi)

Top

- 5/8" thick, available in Hard Plastic
- Molded in pencil groove
- Flat top mechanically secured to the frame in 12 places
- 18" x 24"
- Solid plastic - ground hardwood flour, color pigment and melamine plastic resins, blended and compressed under heat and pressure (1900 psi)

Seat Height

15 1/2" - 18"
16 1/2" - Belly Room

Tubing

- 1008 -1010 CRS Platable steel
- Tubing - between 14 and 18 gauge



Shown in 25"D, 37"W, 33"H with 18" seat.
Seat Black Granite, Black Diamond frame



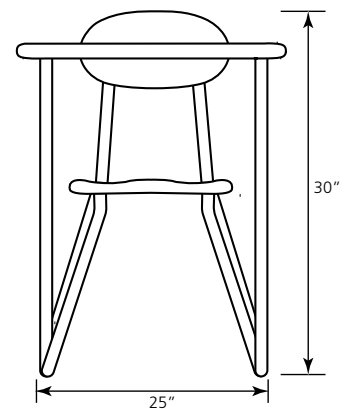
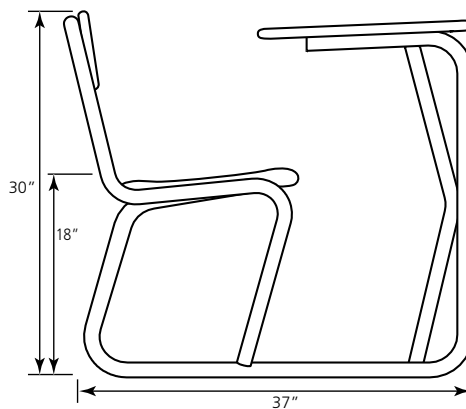
Shown in 25"D, 37"W, 33"H with 18" seat and book basket.
Seat Charcoal, Emerald Stone frame



Cantilever glides

Glides

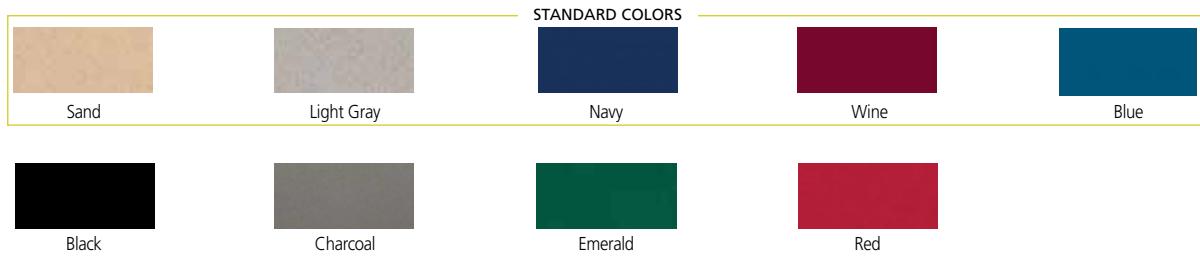
- Injection molded sled base glide
- Options for Armor, Steel or Felt Glide, over mold TPR available upon request
- Prevents marring and digging of floors
- Lubricant repels wax, detergents, and water



INDOOR-ADVANTAGE GOLD FURNITURE

Heavy Duty Dual Entry

Seat and Back Color Options



Metal Book Box Color Options



Frame Finish Options



Hard Plastic Top Options



[†]Spec Flek

All non-standard colors subject to minimum quantities and upcharges.