



*Shown in fixed height.
Mahogany top, Chrome frame*

SPECIFICATIONS

Columbia's Study Top Desk with a middle brace for strength, is our most popular desk. Flat top design allows for ganging/ clustering options.

Frame

- 1" diameter, 18 gauge steel tubing
- Parallel MIG and SMAW welded in non-visible location
- 1" diameter, 18 gauge steel tubing under top for support
- Stretcher Tube - 3/4" diameter, 18 gauge
- Weld T Nut adjustment for added safety and strength

Top

- 5/8" hard melamine resin
- Molded in pencil groove
- Flat top
- 24" x 18"
- Solid plastic - ground hardwood flour, color pigment and melamine plastic resins, blended and compressed under heat and pressure (1900 psi)

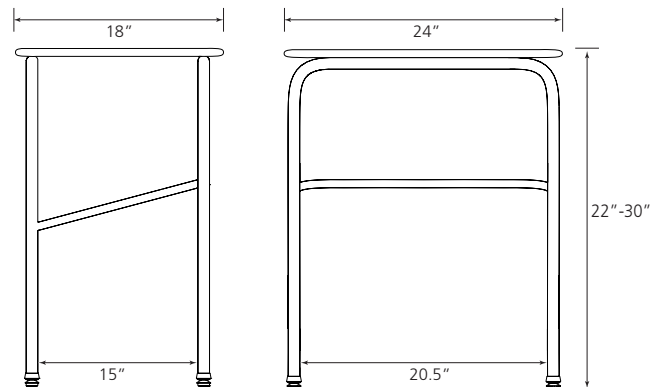
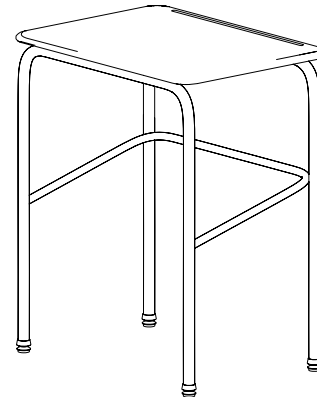
Tubing

- 1008 -1010 steel
- Tubing - 18 gauge

Height

- 29½", and 22"-30" adjustable

Model	D	W	H
DK-4LG-RECT-1824-AL	18"	24"	22-30"
DK-4LG-RECT-1824-29	18"	24"	29.5"
DK-4LG-RECT-1926-AL	19"	26"	22-30"
DK-4LG-RECT-1926-29	19"	26"	29.5"



Carpet, steel or felt glides

Glides

Columbia glide options - Armored Glide, steel, felt base. Q Ball glides available upon request.

- 1/2" high shoulder glide firmly attaches to tubing
- Maximum 40°- swivel range
- Armor Tip lubricant repels wax, detergents, and water

Study Top Desk

Hard Plastic Top Options



All non-standard colors subject to minimum quantities and upcharges.

Frame Finish Options



*Spec Flek subject to upcharges.

All non-standard colors subject to minimum quantities and upcharges.