



*Shown in fixed height.
Brushed Silver top, Granite frame, Granite book box frame*

SPECIFICATIONS

Columbia's Study Top Desk has a see through basket with ample storage space for books, notebooks and other belongings.

Frame

- 1" diameter steel tubing
- Parallel MIG and SMAW welded in non-visible location
- 1" diameter steel tubing under top for support
- Stretcher Tube - 3/4" diameter
- Weld T Nut adjustment for added safety and strength

Top

- 5/8" hard melamine resin
- Molded in pencil groove
- Flat top
- 24" x 18"
- Solid plastic - ground hardwood flour, color pigment and melamine plastic resins, blended and compressed under heat and pressure (1900 psi)

Basket

- 1/4" round steel rods
- Front opening 4 1/2"

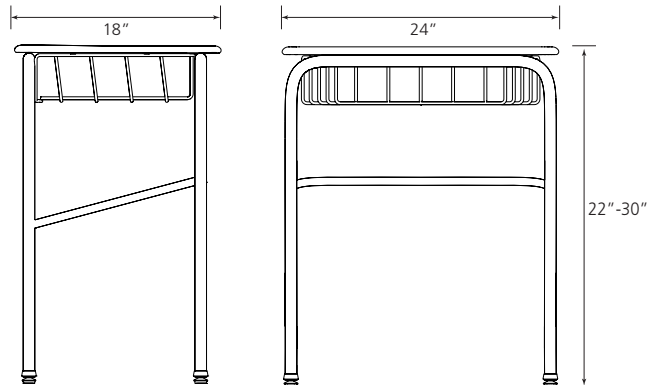
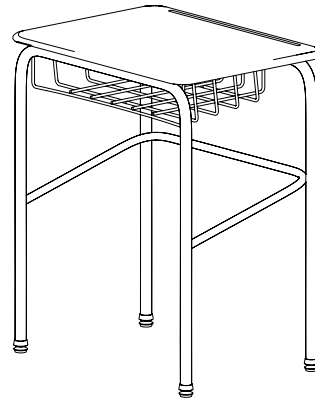
Tubing

- 1008 -1010 steel
- Tubing - 14-18 gauge

Height

- 23½", 26½", 29½", and 22"-29" adjustable

| Model | D | W | H |
|---------------------|-----|-----|--------|
| DK-BSK-RECT-1824-AL | 18" | 24" | 22-30" |
| DK-BSK-RECT-1824-29 | 18" | 24" | 29.5" |



Carpet, steel or felt glides

Glides

Columbia glide options - Armored Glide, steel, felt base. Q Ball glides available upon request.

- 1/2" high shoulder glide firmly attaches to tubing
- Maximum 40°- swivel range
- Armor Tip lubricant repels wax, detergents, and water

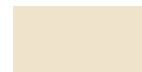
Study Top Desk with Book Basket

Hard Plastic Top Options



All non-standard colors subject to minimum quantities and upcharges.

Frame Finish Options



[†]Spec Flek subject to upcharges.

All non-standard colors subject to minimum quantities and upcharges.