



*Shown in adjustable unit  
Top Sand, Book Box Sand Stone, Chrome frame*

## SPECIFICATIONS

Columbia's open front desk is designed for durability and easy maintenance. This desk offers the largest seamless book box on the market.

### Frame

- 1" diameter, 18 gauge steel tubing
- Parallel MIG and SMAW welded in non-visible location
- Spreader Tube - 3/4" diameter, 18 gauge
- Weld T Nut adjustment for added safety and strength

### Book Box

- Seamless steel drawn from a single 20 gauge CRS steel sheet
- Opening rolled around a 3/16" diameter steel reinforcing rod
- Sides and bottom are embossed for stiffness
- Large, die formed pencil groove
- 22½" x 15½" x 5"

### Top

- 5/8" hard melamine resin
- Molded in pencil groove
- Flat top
- 24" x 18"
- Solid plastic - ground hardwood flour, color pigment and melamine plastic resins, blended and compressed under heat and pressure (1900 psi)

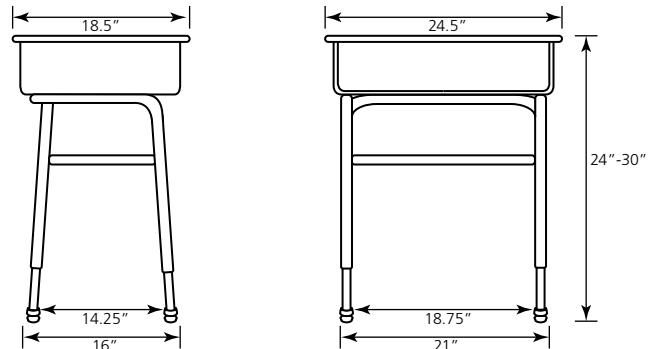
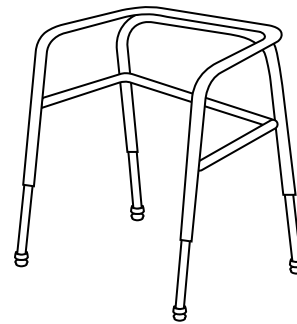
### Tubing

- 1008 -1010 steel
- Tubing - 18 gauge

### Height

- 22", 23½", 26½", 30", and 24"-30" adjustable

Model	D	W	H	WT
DK-OFD-RECT-1824-22	18"	24"	22"	25
DK-OFD-RECT-1824-23	18"	24"	23.5"	25
DK-OFD-RECT-1824-26	18"	24"	26.5"	25
DK-OFD-RECT-1824-29	18"	24"	29.5"	25
DK-OFD-RECT-1824-AQ Adjustable	18"	24"	24" - 30"	25



### Glides

Columbia glide options - Armored Glide, steel, felt base. Q Ball glides available upon request.

- Interchangeable base options in 7/8" to 1" diameter swivel glides with hardened internal steel gripper
- 1/2" high shoulder glide firmly attaches to tubing
- Maximum 40°- swivel range
- Armor Tip lubricant repels wax, detergents, and water



INDOOR-ADVANTAGE GOLD  
FURNITURE