



*Shown in adjustable unit
Top Oak, Book Box Navy, Gray frame*

SPECIFICATIONS

Columbia's open front Capella desk is designed for durability and easy maintenance. This desk combines a molded one-piece book box with a rugged upper frame locking system that locks the book box and upper legs together.

Frame

- 1 1/8" diameter, 18 gauge steel tubing
- Adjustable leg inserts - 1" diameter, 18 gauge
- Adjustable legs are pre-threaded for easy positioning

Book Box

- Seamless plastic molded from polypropylene
- Opening is 17" x 4 3/4", reinforced for strength
- Sides and bottom are a soft texture
- Large, die formed pencil groove
- 23" x 16 15/16" x 5 5/8"

Top

- 5/8" MDF or Hard Plastic
- Molded in pencil groove
- Flat top
- 24" x 18"
- Solid plastic - ground hardwood flour, color pigment and melamine plastic resins, blended and compressed under heat and pressure (1900 psi)

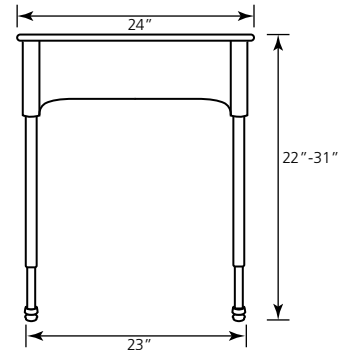
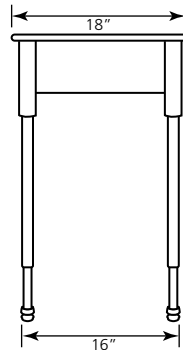
Tubing

- 1008 -1010 steel
- Tubing - 18 gauge

Height

- 22"-31" adjustable

Model	D	W	H	WT
DK-CAP-RECT-1824-AM	18"	24"	22"-31"	20



Carpet, steel or felt glides

Glides

Columbia glide options - Armored Glide, steel, felt base. Q Ball glides available upon request.

- Interchangeable base options in 7/8" to 1" diameter swivel glides with hardened internal steel gripper
- 1/2" high shoulder glide firmly attaches to tubing
- Maximum 40°- swivel range
- Armor Tip lubricant repels wax, detergents, and water

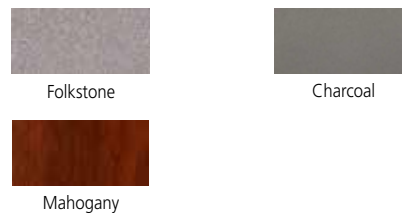


INDOOR-ADVANTAGE GOLD
FURNITURE

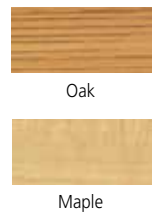
Capella Open Front Desk

Hard Plastic Top Options

STANDARD COLORS

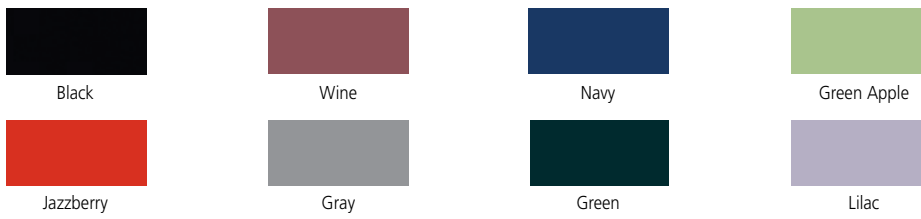


MDF Top Options



All non-standard colors subject to minimum quantities and upcharges.

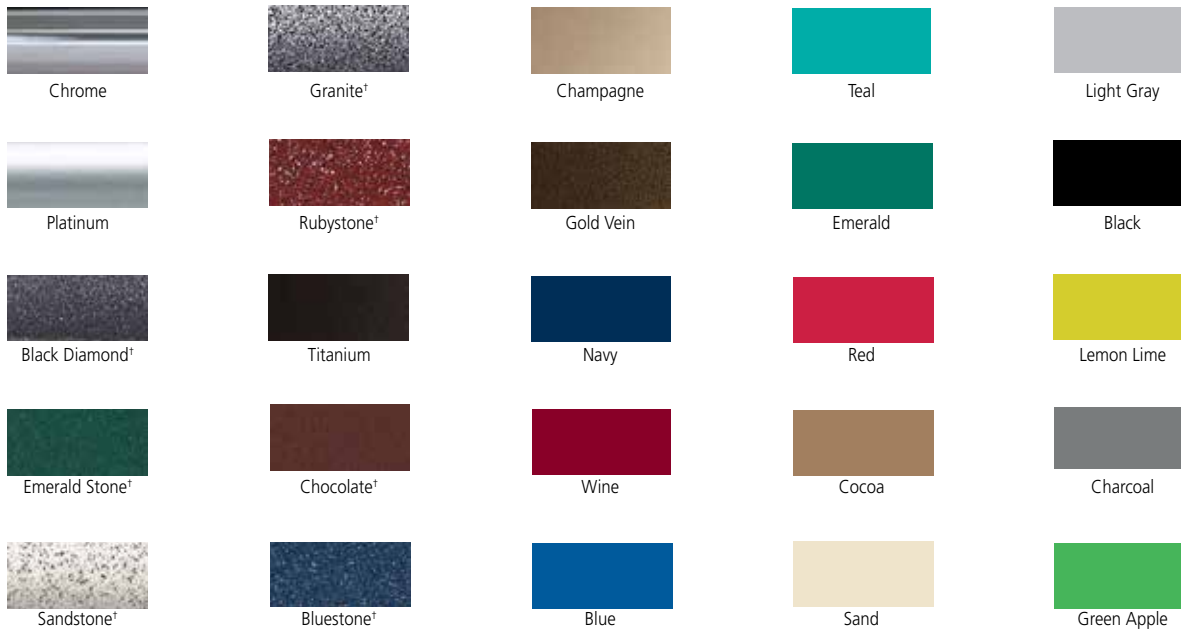
Soft Plastic Color Options



Duro Edge Options



Upper Leg Frame Finish Options



*Spec Flek subject to upcharges.

Leg Insert

